

### Cabinet Adaptor Kit for Eaton / Wrightline Paramount Cabinet

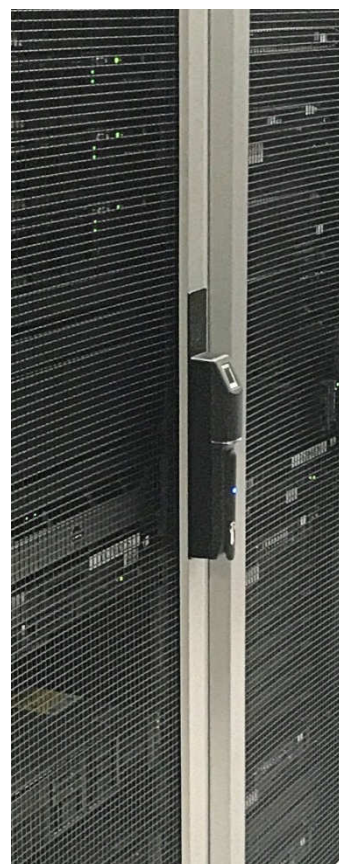
Digitus offers a wide range of adaptor kits for cabinets that aren't designed for swinghandles. The kits allow any Digitus Smart Handle to be used on these cabinets without modifications to the cabinet.

The "Paramount" cabinet by Eaton / Wrightline has been around for many years, making use of standard components such as the "grab" handle and keyed ¼ turn latch.

**Before**

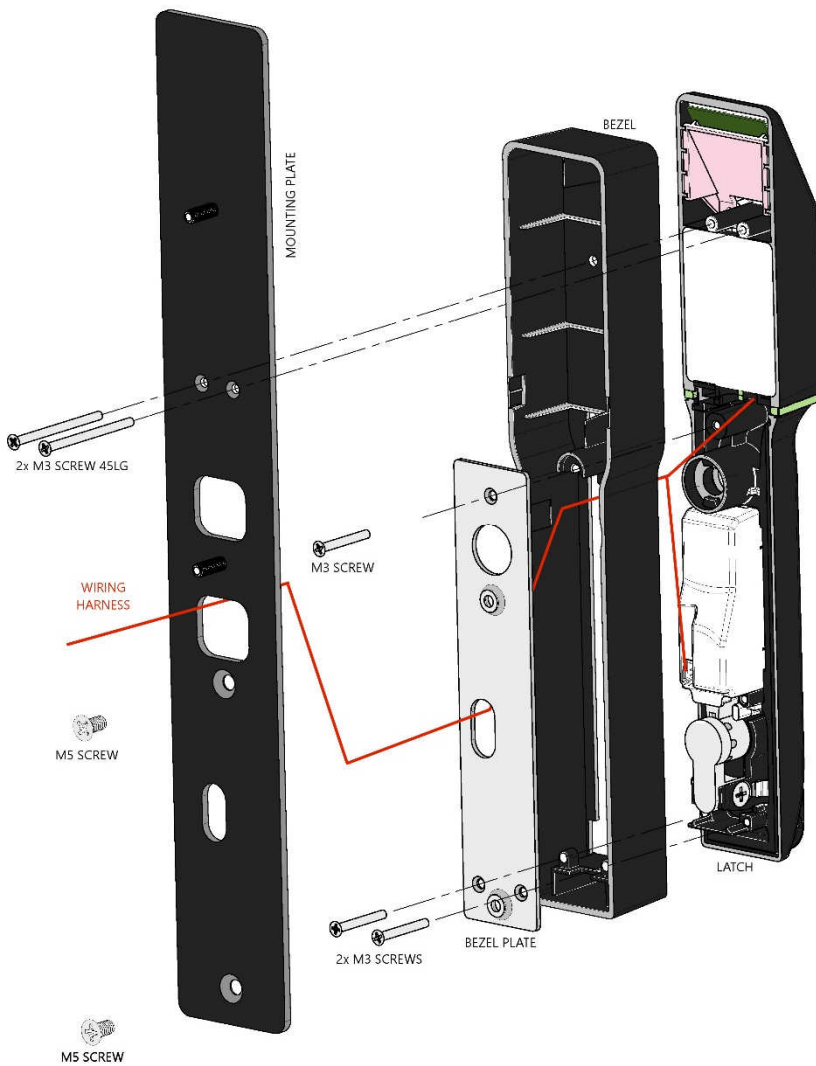


**After**



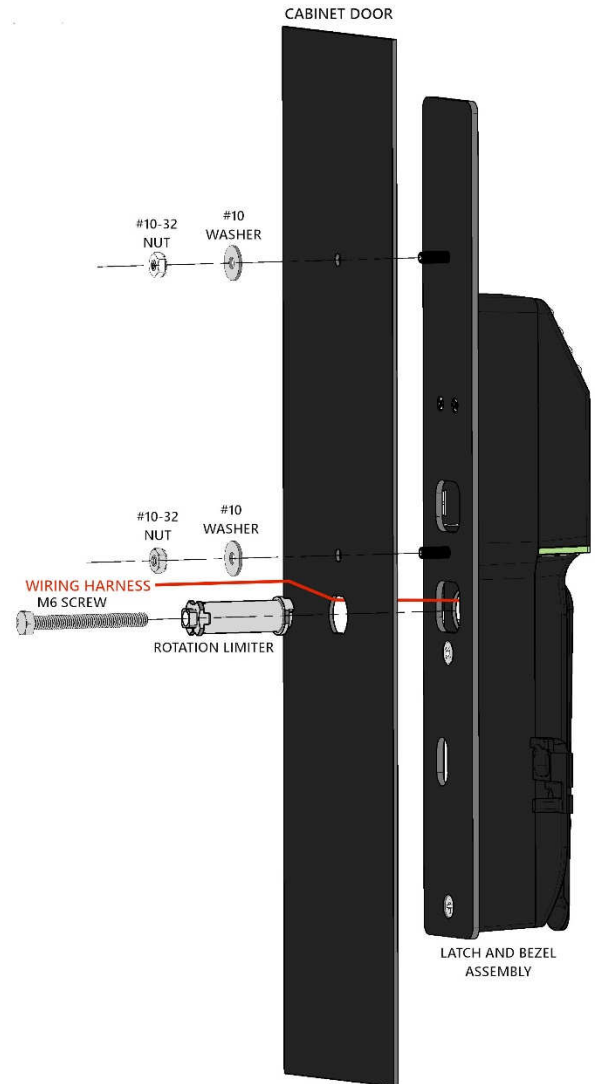
Designed specifically for the Eaton / Wrightline Paramount cabinet, the Digitus dbWLKIT-SH is available for single front door (dbWLKIT-SHF) or split rear door (dbWLKIT-SHR) of the cabinet, making use of existing mounting holes and openings to seamlessly provide an electronic handle solution.

### Adaptor Kit with Smart Handle Assembly



Order the Adaptor Kit with any Digitus Smart Handles and Digitus will fully assemble the Adaptor Kit with the Smart Handle, ready for easy installation onto your cabinet.

### Adaptor Kit Installation



The fully assembled Adaptor Kit ready to be installed. All assembly hardware is included.