

### Cabinet Adaptor Kit for Vertically Mounted C2 Handle

Digitus offers a wide range of adaptor kits for cabinets that aren't designed for swinghandles. The kits allow any Digitus Smart Handle to be used on these cabinets without modifications to the cabinet.

The C2 is the handle of choice for many cabinet manufacturers and has options where it can either be mounted horizontally or vertically.

**Before**

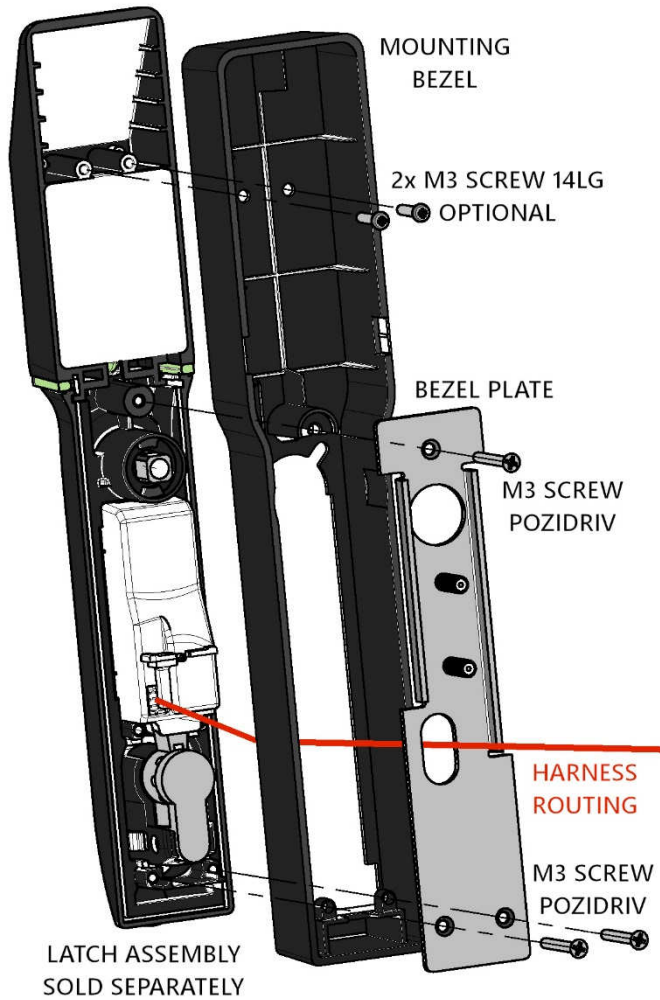


**After**



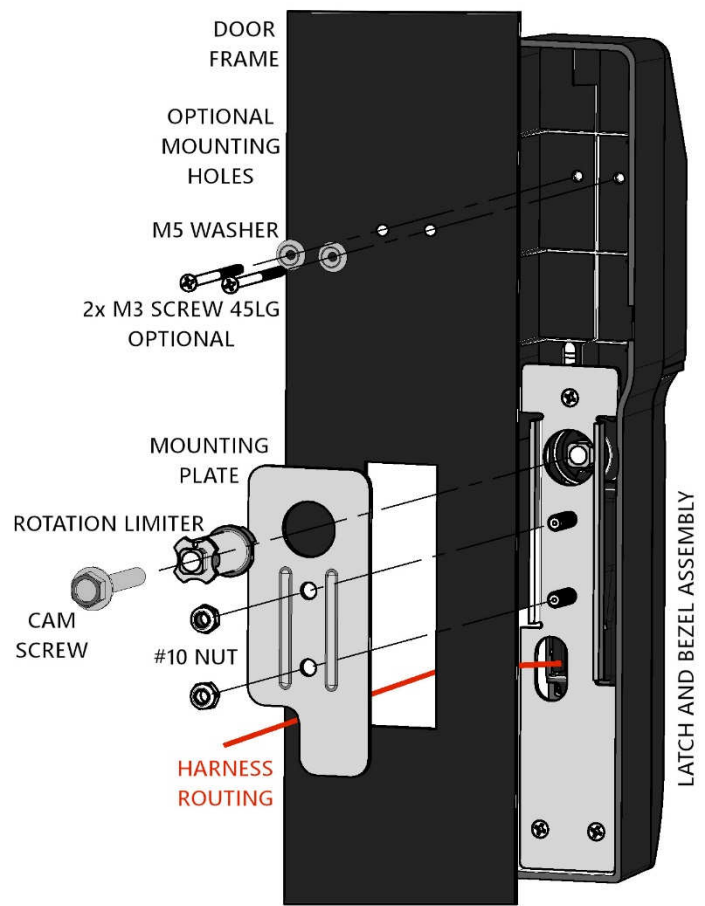
Designed specifically for deployments that use a vertically mounted C2 handle, the Digitus dbVC2KIT-SH simplifies installation by making use of existing openings and mounting holes to provide a seamless upgrade path to a single or multi-factor electronic handle solution.

### Adaptor Kit with Smart Handle Assembly



Order the Adaptor Kit with any Digitus Smart Handles and Digitus will fully assemble the Adaptor Kit with the Smart Handle, ready for easy installation onto your cabinet.

### Adaptor Kit Installation



The fully assembled Adaptor Kit ready to be installed.  
All assembly hardware is included.