

Digitus / OnGuard Integration

Digitus now offers a certified integration with LenelS2's OnGuard platform.

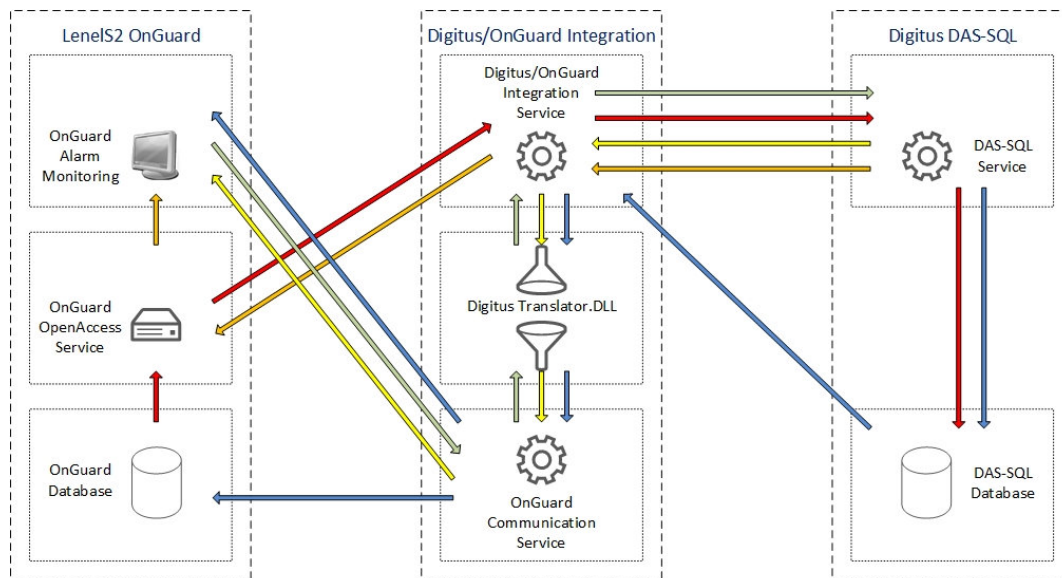
OVERVIEW

Digitus is pleased to announce its fully certified integration with LenelS2's OnGuard Building Management System.

If you're looking to secure access to your server cabinets, and want to fully manage the system from OnGuard, the Digitus / OnGuard Integration is the perfect solution.

KEY PRODUCT FEATURES

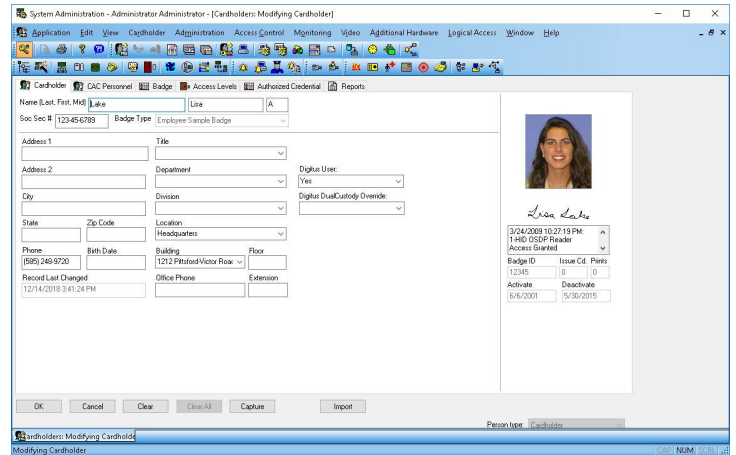
- ⦿ Fully Manage your Digitus system from OnGuard
 - ⦿ Add users and assign access-rights by defining Access Levels in OnGuard
 - ⦿ Monitor your Digitus hardware from OnGuard's Alarm Monitoring
 - ⦿ See real-time device status and perform remote door unlocks from OnGuard
 - ⦿ All events from the Digitus system appear in Alarm Monitoring
- ⦿ Use intelligent cabinet handles and control system specifically designed for data center applications
- ⦿ No need for expensive Access Panels
- ⦿ Simple Installation of Digitus hardware, with no long cable-runs to utility closets



LEGEND Cardholders/Visitors, Badges, Access Levels, Access Level Assignments Logical Source – Add, Delete, Users, Events Device Status – Door/Latch Status, Alarm Status Unlock Door Commands Events		Digitus DAS-SQL/LenelS2 OnGuard System Integration Topology Diagram Document Ref: DWV-190005r001

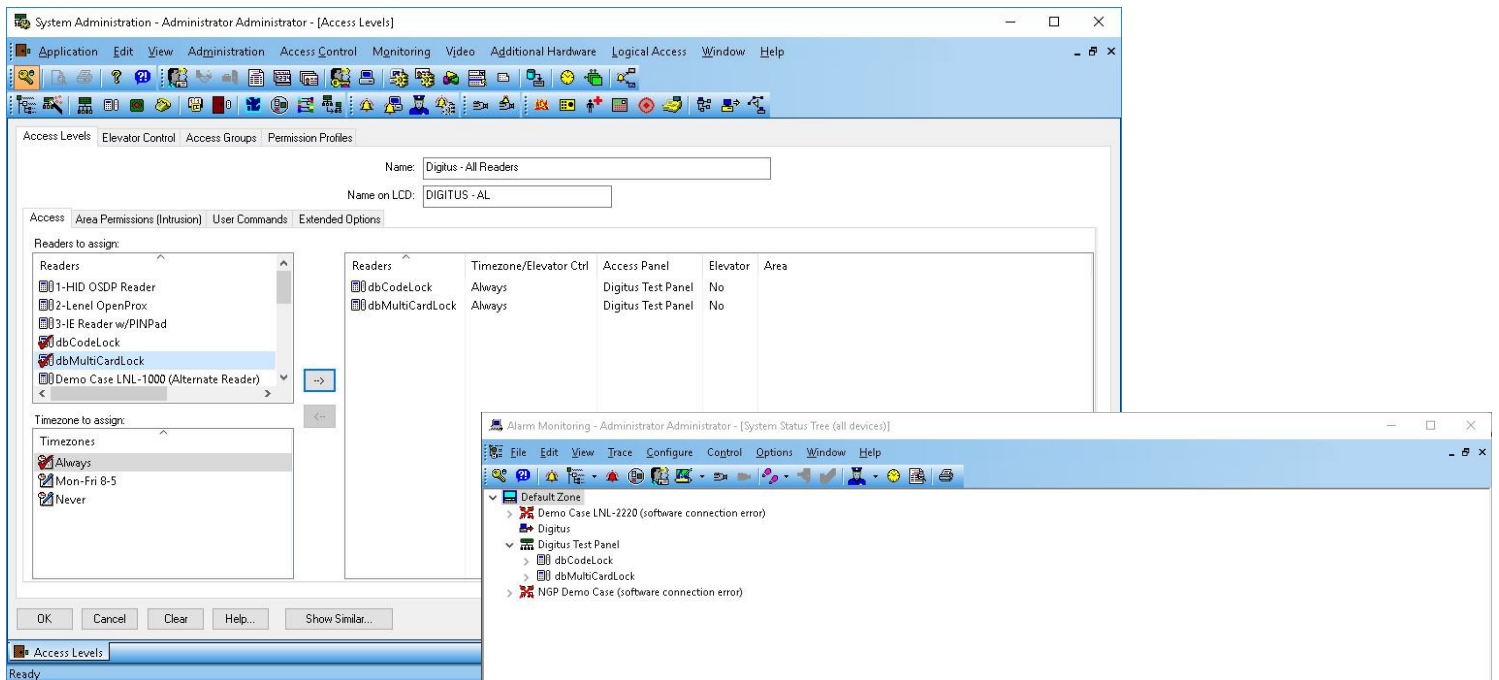
USER INTEGRATION

- ⦿ Allows specific existing users within OnGuard to be synchronized with the Digitus platform
- ⦿ Specified new users are automatically added to the Digitus platform
- ⦿ As users are deleted from OnGuard, they are automatically revoked access to all Digitus hardware



USER ACCESS PROVISIONING

- ⦿ Assign who has access to which cabinet within the Digitus system from the OnGuard platform
- ⦿ Add/remove access to specific cabinets from OnGuard for each specified user



ALARM MONITORING INTEGRATION

- ⦿ Events generated in the Digitus system are automatically transferred into the OnGuard Alarm Monitoring module
- ⦿ Real-time device status, showing when door is online/offline, open/closed or has any active alarms
- ⦿ Remote unlock any cabinet door