

# db CodeLock

## Installation Manual

Version 1.0



# Table of Contents

Determining which Lock Pawl to use..... 3

Overview..... 4

Securing the Door Lock - Step 1..... 4

Mount the tie-down pads to the Door and Cabinet – Step 2 ..... 5

Route the Cable between the lock and the Remote Node / db Sentry Controller or ACM Panel – Step 3 ..... 6

Connect the cable to the Remote Node / db Sentry Controller – Step 4..... 7

Connect the lock to 3<sup>rd</sup>-party Access Panel ..... 8

Connect the SENSE OUT to monitor the lock position (open/closed) ..... 9

## Determining which Lock Pawl to use

- As all cabinets vary, we offer a wide range to pawls to suit the particular dimensions of your cabinet.

**In most situations the pawl from the existing mechanical handle can be re-used with the new lock.**

- If new pawls are required, there is a simple measurement that needs to be taken to determine which pawl you will need. Using the existing mechanical lock, measure the length of "H" in millimeters (mm) as shown in figure 1. Using "H" determine which pawl is required from Table 1.
- Once the correct pawl model has been determine, please contact our lock support team at +1 912 231 8175

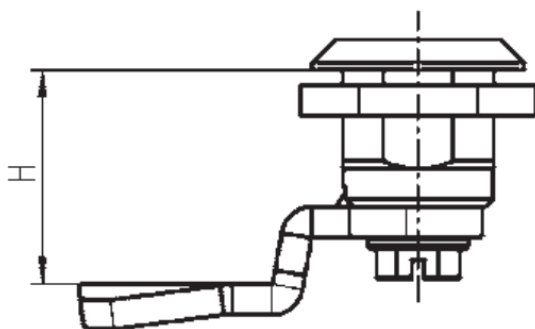


Figure 1

Standard Pawl	
H (mm)	Model #
4	1000-112
6	1000-22
8	1000-113
10	1000-21
13	1000-20
14	1000-19
16	1000-18
18	1000-17
20	1000-16
22	1000-15
24	1000-14
25	1000-27
26	1000-50
28	1000-13
30	1000-28
32	1000-26
34	1000-12
35	1000-11
36	1000-51
38	1000-52
40	1000-25
42	1000-53
44	1000-54
45	1000-10
47	1000-55
50	1000-56

Pawl with Rod Control	
H (mm)	Model #
4	1000-U63
6	1000-U21
8	1000-U64
10	1000-U22
13	1000-U23
14	1000-U24
16	1000-U25
18	1000-U26
20	1000-U27
22	1000-U28
24	1000-U29
25	1000-U30
26	1000-U31
28	1000-U32
30	1000-U33
32	1000-U34
34	1000-U35
35	1000-U36
36	1000-U37
38	1000-U38
40	1000-U39
42	1000-U40
44	1000-U41
45	1000-U42
47	1000-U43
50	1000-U44

Table 1

## Overview

- If you are installing the lock into to a cabinet that already has a lock installed, remove the existing lock at this time.

### Securing the Door Lock - Step 1

- Secure the lock to the door using the top mounting bracket and bottom mounting bracket as show in Figure 1. Do not over-tighten the screws in the bottom mounting bracket as this may jam the lock mechanism.

**Note. Do not use an electric screwdriver to tighten the screws.**

- Page 3 of this document describes how to determine which pawl you will need, depending on the make and model of cabinet.
- Pay particular attention to the rotation limiter. This is installed as shown depending on whether you have a right on left hand opening door.

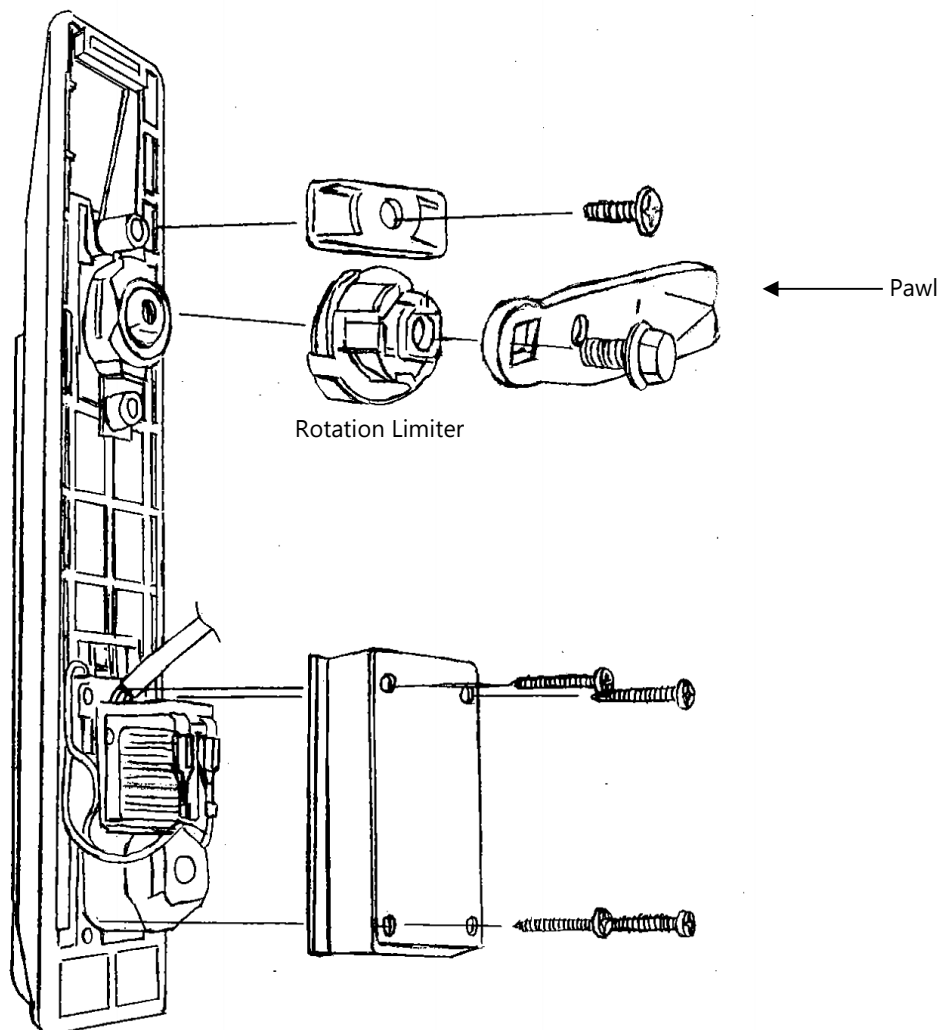


Figure 1

## Mount the tie-down pads to the Door and Cabinet – Step 2

- The tie down pads are used to secure the supplied cable that connects the lock directly to the Remote Node / db Sentry or ACM panel.
- Ensure that the door surface is clean and free from any debris. (Using neat alcohol to clean the surface is highly recommended. Allow drying time before proceeding.)

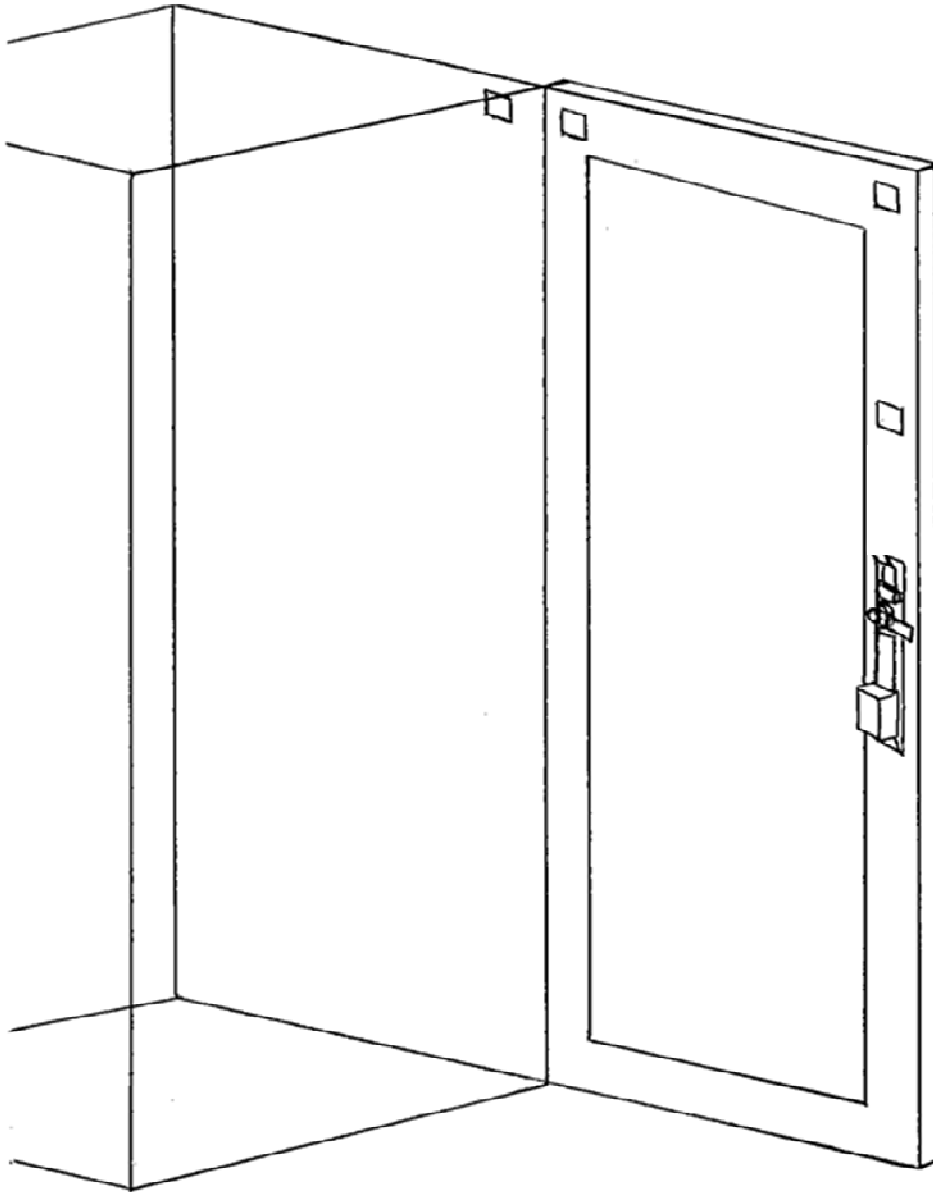


Figure 2

- Remove the protective cover from each tie-down pad and situate as shown in Figure 2.

### Route the Cable between the lock and the Remote Node / db Sentry Controller or ACM Panel – Step 3

- Route the lock cable to the door hinge as shown in Figure 3. Secure the cable to the tie-down pads using the supplied cable-ties. Connect the supplied device cable to the RJ-45 coupler and route it to the Remote Node or Sentry, if using Digitus a controller. If connecting to a third party access control panel, connect a network cable to RJ-45 coupler and run back to panel.

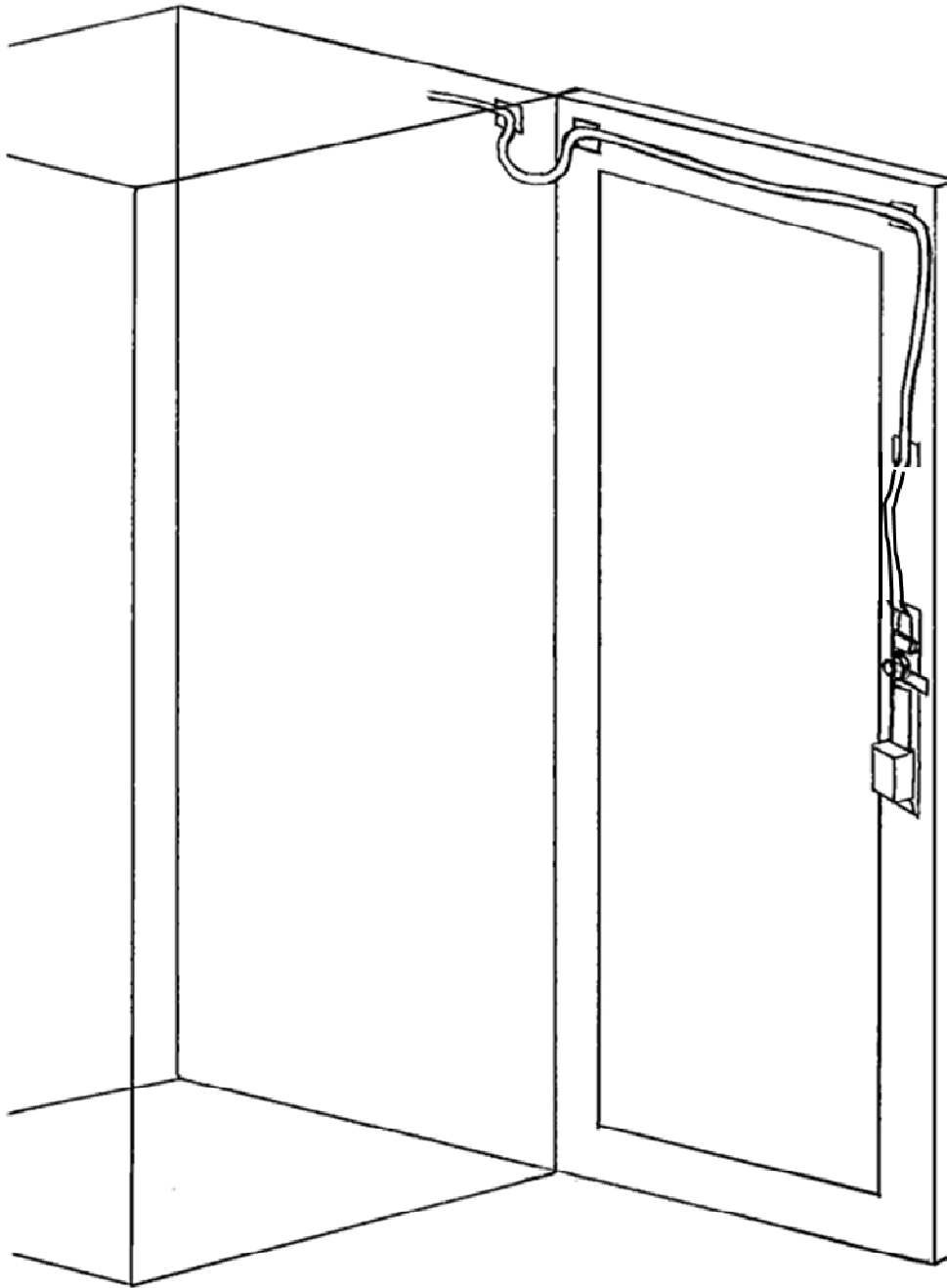
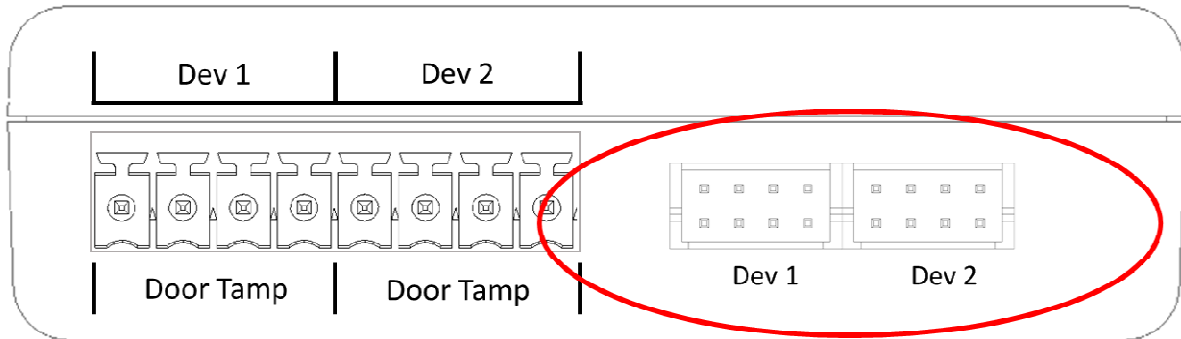


Figure 3

## Connect the cable to the Remote Node / db Sentry Controller – Step 4

Locks are connected to the Remote Node or db Sentry's socket circled in the diagram below.

Each Remote Node / db Sentry Controller has two device inputs, Dev 1 and Dev 2.



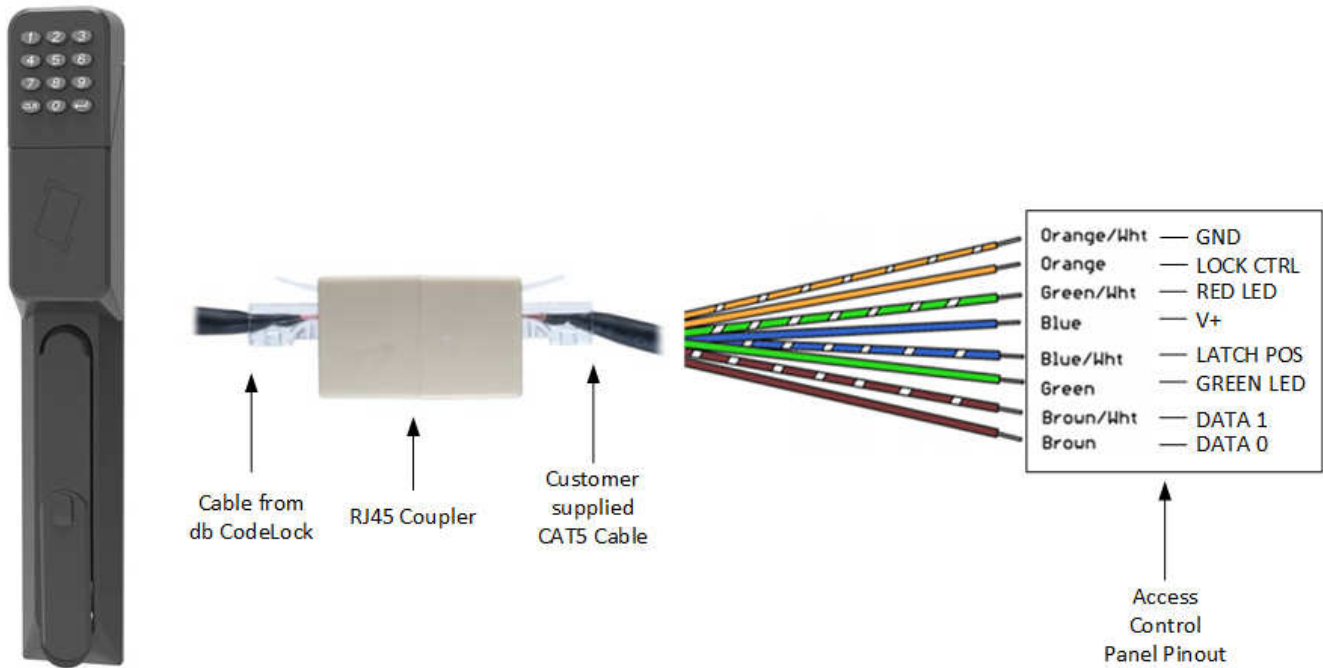
Side View of Remote Node



Side View of db Sentry

It is recommended that for a cabinet with 2 doors, the front door is connected to Dev 1 and the back door is connected to Dev 2.

## Connect the lock to 3<sup>rd</sup>-party Access Panel



Orange/White – **GND**, Ground

Orange – **LOCK CTRL**. Requires a 12V (24V if a 24V version of the db CodeLock was purchased) control line to unlock the handle

Green/White – **RED LED**. Connect to the Red LED output on the 3<sup>rd</sup>-party panel

Blue – **V+**, Requires a 12VDC Supply

Blue/White – **LATCH POS** (used to indicate if the lock is open or closed) – Will be pulled to Ground (GND) if the handle is closed. Will be open circuit if the handle is open. *See diagram below*

Green – **GREEN LED**. Connect to the Green LED output on the 3<sup>rd</sup>-party panel

Brown/White – Wiegand **DATA 1**

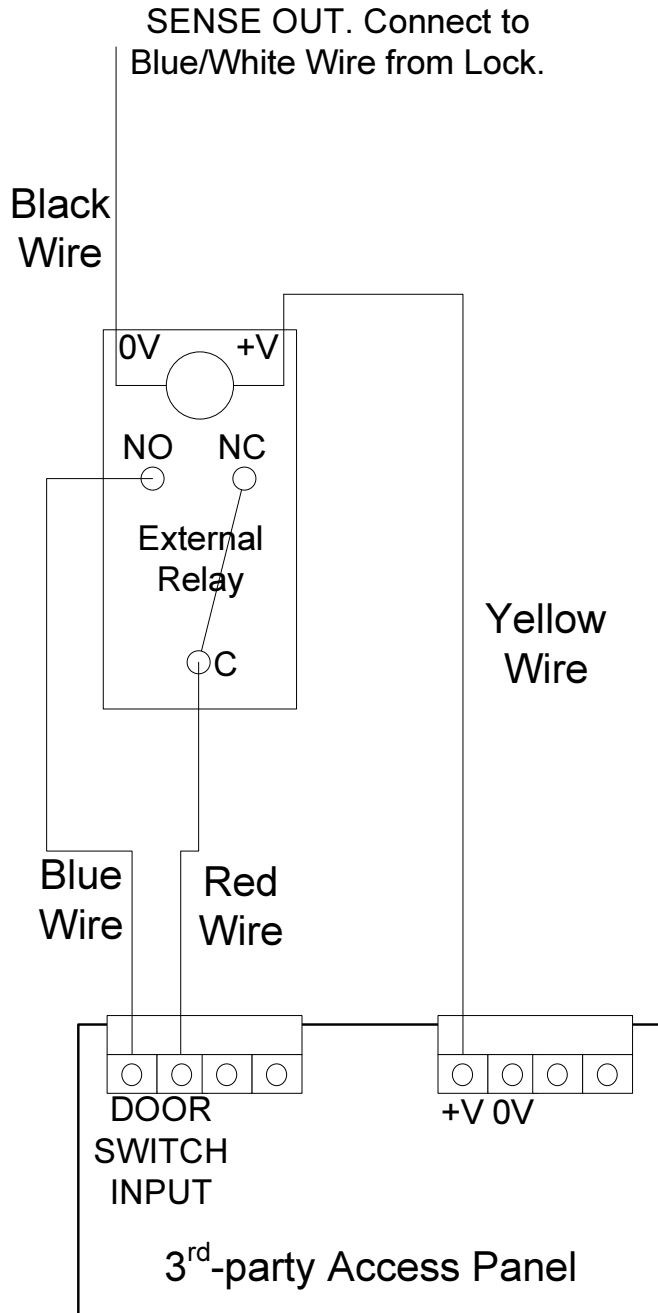
Brown – Wiegand **DATA 0**



**Connect the SENSE OUT to monitor the lock position (open/closed)**

If the 3<sup>rd</sup>-party Access Panel requires a 2-wire input to monitor the door positions, an external relay is required.

Connect as follows:





Digitus Biometrics, Inc.  
2 East Bryan Street, Suite 502  
Savannah, GA 31401 USA

Phone: 912-231-8175  
Fax: 912.629.9478  
[www.digitus-biometrics.com](http://www.digitus-biometrics.com)  
[support@digitus-biometrics.com](mailto:support@digitus-biometrics.com)

Specifications subject to change without notice.